



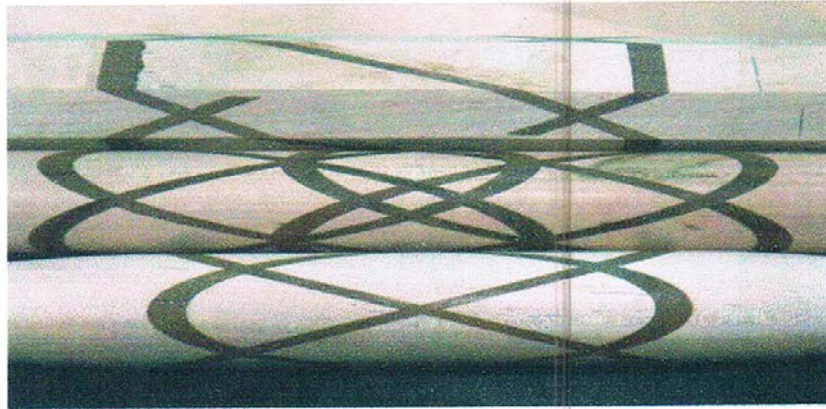
March 2019 Program

MAKING CELTIC KNOT ROLLING PINS

BY LES BROWN

Celtic Knot Rolling Pins

Les Brown, member of the Cumberland Woodworkers Club, came to speak about his techniques for making celtic knot rolling pins. He developed his own jig to facilitate inlaying wood to make the knot pattern (see Tools and Tips).



Examples of Celtic Knot Patterns



Instructions

Tools and Tips

Celtic Rolling Pin Sled Building Instructions (Les Black – Cumberland Woodturners)

Bill of Materials

- 1 – $\frac{3}{8}$ " x 12" x 24" Baltic plywood
- 1 – $\frac{1}{2}$ " x 3 $\frac{1}{2}$ " x 3 $\frac{1}{2}$ " pine
- 1 – 1 $\frac{1}{2}$ " x 3 $\frac{1}{2}$ " x 7" pine
- 1 – 1 $\frac{1}{2}$ " x 5 $\frac{1}{2}$ " x 7" pine
- 2 – $\frac{1}{2}$ " x 2" x 2" ply to shim up toggle clamps
- 2 – vertical handle toggle clamps

$\frac{3}{8}$ " plywood can be substituted by another thickness – not critical

Cut slot in plywood next (Figure 2)

Place the pin across the saw cut in the plywood, line up the layout marks on the pin with the saw cut, and mark the side and end of the pin on the plywood (Figure 3)

This will be the marks to locate the stop blocks (Figure 3), now install the stop and push blocks

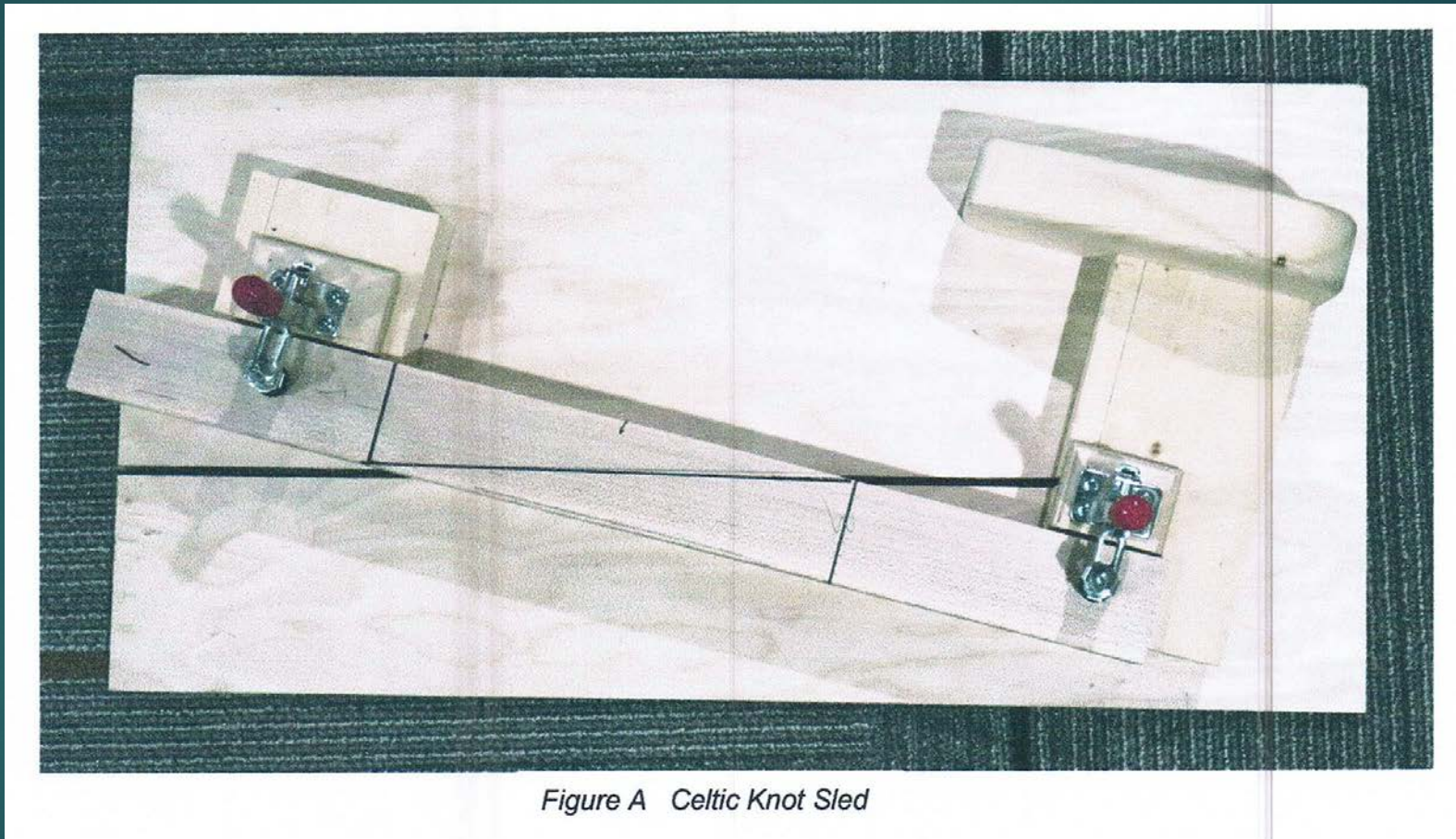
Cut two pieces $\frac{1}{2}$ " ply to shim up the toggle clamps (Figure 1)

With the sled completed, you are ready to start the rolling pin glue up

Set the saw blade height so it does not cut thru the pin blank about $\frac{1}{16}$ " wood left; mark one end of the pin blank on the end closest to you to ensure the cuts line up

Make the first cut and glue the contrasting wood for the celtic knot; the material for the celtic knot needs to be the same thickness as the saw blade; repeat on the remaining three sides and you are ready to turn the rolling pin

Sled used to cut slots in rolling pins



Sled Layout

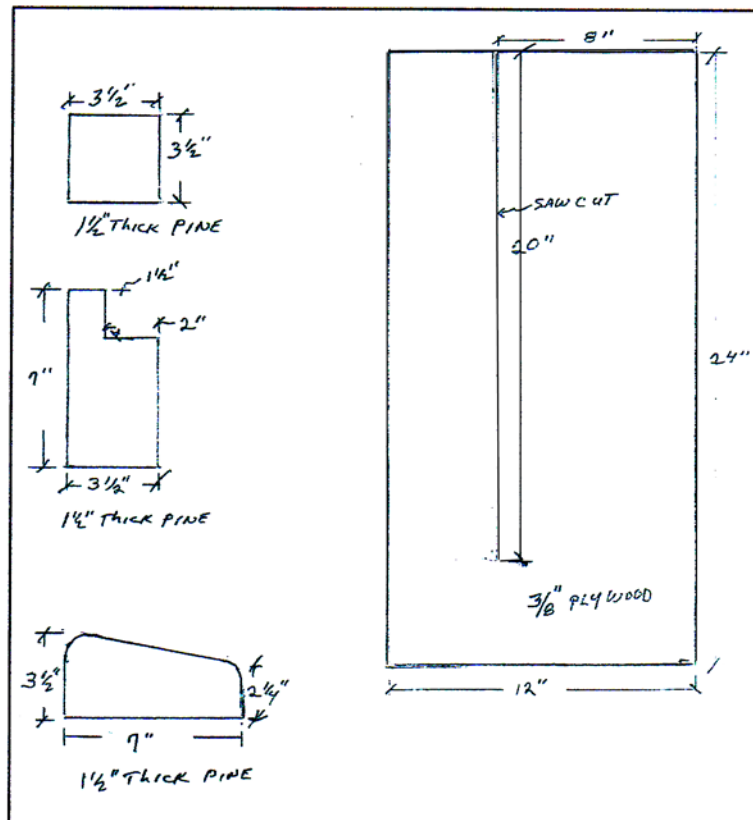


Figure B Materials for Celtic Knot Sled

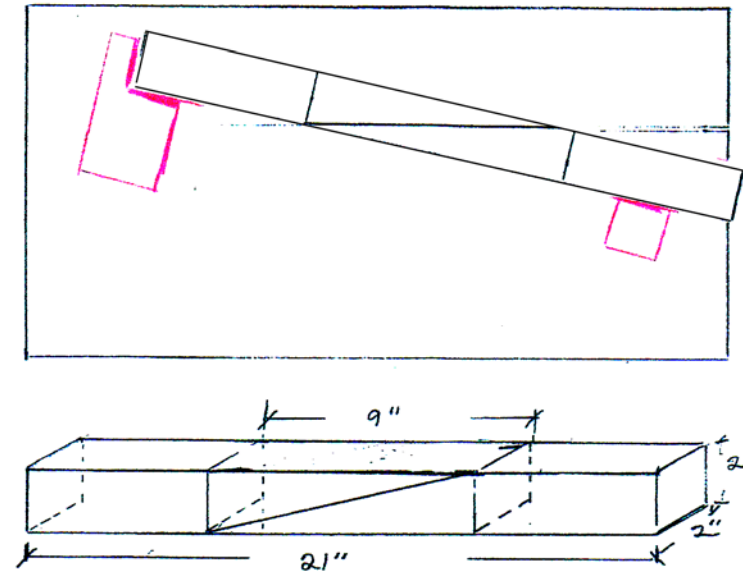


Figure C Stop Layout and Rolling Pin Blank