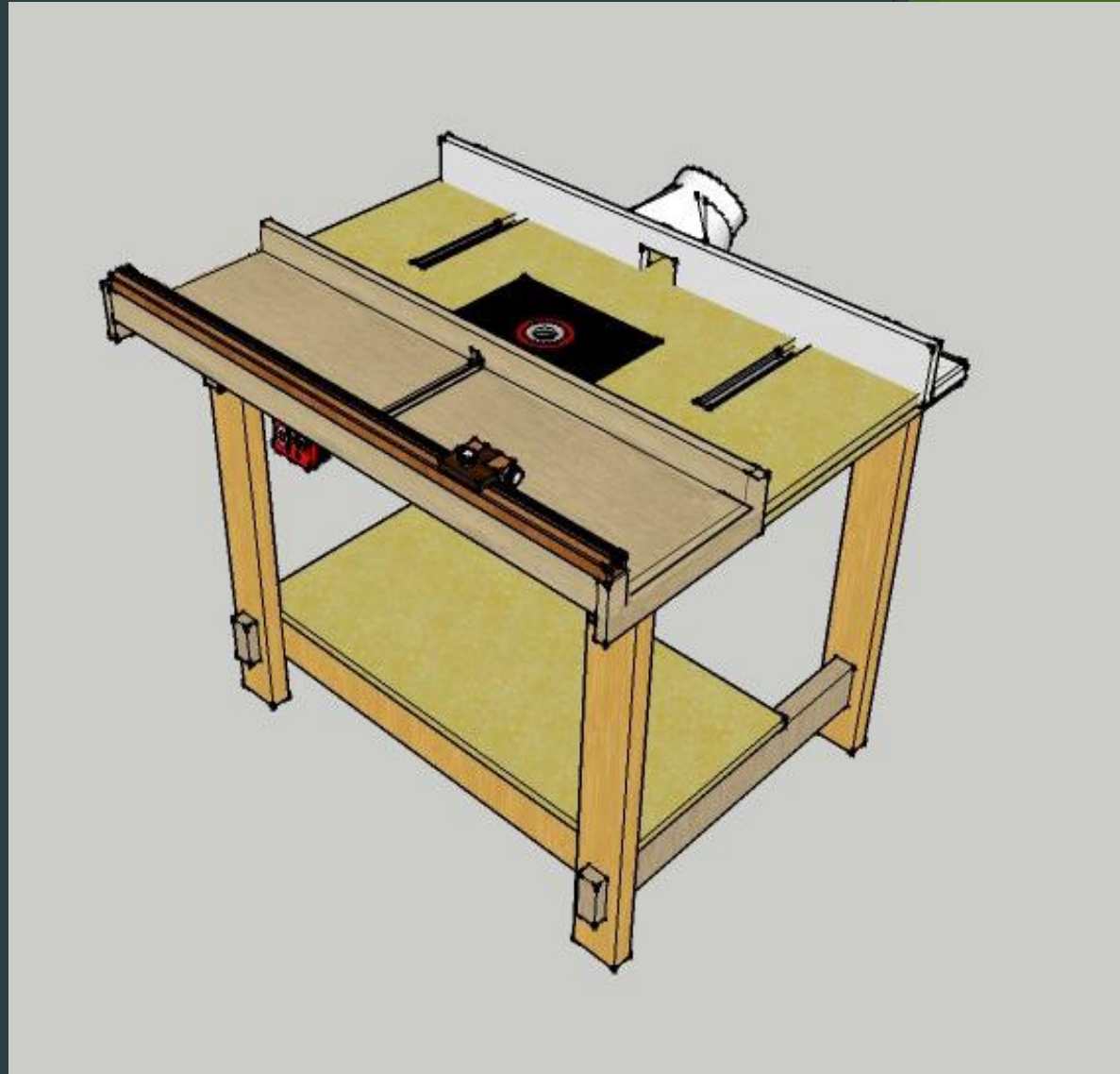


Crosscut Router Table Jig

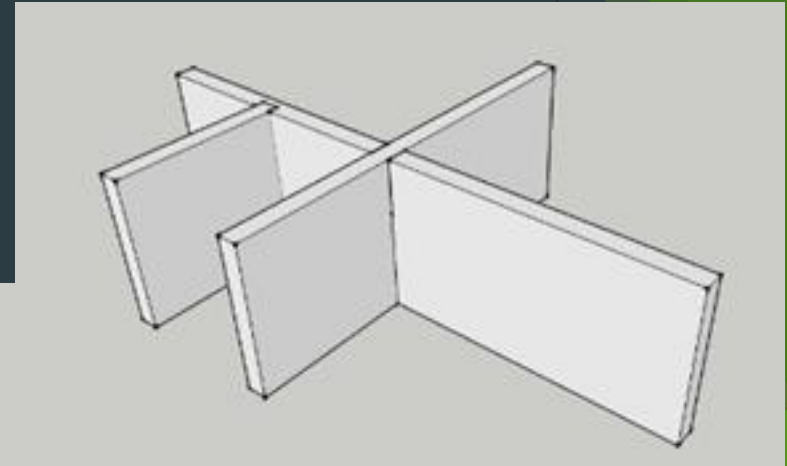
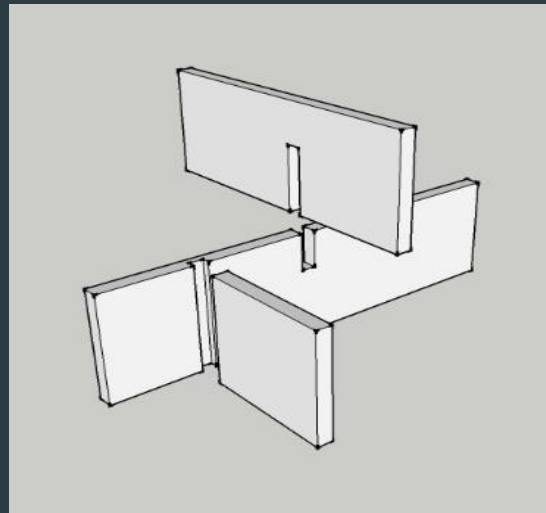


Use: Cutting slot or dado across long boards

Simple set up for repeatable slots/dados

Easy to make symmetrical slots/dados

Excellent for thin stock



Questions

Sign Up Sheet for plans

Building The Sled

These build plans do not include measurements because the sled must be built for your specific router table. For some parts, suggested dimension will be given but the actual size is not critical: close works.

